

# 880/880 Plus Performance™ Series

Digital Weight Indicator/Controller

## Specifications

### Power:

Input voltages: 100-240 VAC; 9-36 VDC Input frequency: 47-63 Hz

### Power Consumption:

AC: 15 watts; DC: 20 watts

### Excitation Voltage:

10 VDC 8 x 350 Ω (16 x 700 Ω) load cells

### Analog Signal Input Range:

-45 mV to 45 mV

### Analog Signal Sensitivity:

0.3 μV/graduation minimum at 7.5 Hz; 1.0 μV/graduation typical at 120 Hz  
4.0 μV/graduation typical at 960 Hz; A/D

### Sample Rate:

7.5 to 960 Hz, software selectable

### Resolution:

Internal: 8 million counts 23 bit weight display: 100,000

### System Linearity:

±0.01% full scale

### Digital I/O:

4 I/O onboard primary keys, pseudo functions, batching functions

### Circuit Protection:

18 KV, 10 V/meter

### Communication Ports:

RS-232 full duplex or RS-485 half duplex; USB type A connector 2.0 (firmware update required); USB micro A/B connector 2.0; Ethernet TCP/IP

### Display:

LED, 0.56 in (14 mm), 6-digit, 14-segment with decimal or comma

### Status Annunciators:

Gross, net, center of zero, standstill, lb, kg, tare, preset tare, range 1/2/3

### Keyboard:

Flat membrane panel, tactile feel

### Operating Temperature:

Legal: 14°F to 104°F (-10°C to 40°C)  
Industrial: 14°F to 122°F (-10°C to 50°C)

### Dimensions (W x H x D):

Panel: 6 x 4 x 4.95 in (152 x 102 x 126 mm)  
Universal: 9.87 x 9.38 x 4.33

### Weight:

Panel: 2.5 lb (1.2 kg);  
Universal: 12 lb (5.4 kg)

### Rating:

Display bezel NEMA Type 4X, IP69K

### Material:

Panel display: stainless steel  
universal: stainless steel  
controller: aluminum

### Warranty:

Two-year limited warranty

### Approvals:

NTEP CC 13-080 Accuracy Class III/IIIL, 10,000d  
Measurement Canada AM-5931C Accuracy Class III/IIHd, 10,000d  
OIML Universal, pending, TC 8463 T 8464, Class III, 10,000d  
CE Mark  
UL Listed



## APPROVALS



Measurement  
Canada  
Approved

## Standard Features

- LED display, 0.56 in (14 mm), 6-digit, 14-segment
- RS-232 or RS-485 serial port
- USB device port connects directly to a PC
- USB host port connects to a keyboard or flash drive
- Ethernet TCP/IP polled or continuous
- AC or DC models
- Built-in DIN-rail clips on controller box (panel mount)
- Display and controller can be separated up to 250 ft (panel mount)
- Hardware slot for one option card
- Operator functions through menu key for audit trail, preset tare, accumulator, time & date and setpoints
- Audit trail tracking for configuration and calibration changes. Password protection for user and configuration changes.
- 20 setpoints with latched batch engine or unlatched outputs
- 4 onboard digital I/O channels
- Programmable ticket formats up to 1,000 characters for header text, gross, net, accumulator and setpoints
- Local/remote operation
- Multi-range or multi-interval weighing
- Filter settings for light, medium and heavy noise

## Options/Accessories

- Metrological hardware sealing kit
- Adapter plate for converting 310A and 520 panel mounts

## Specification Options

### Analog Output:

16-bit resolution, voltage output 0-10 VDC, current output 0-20 mA, 4-20 mA

### Relay Board:

4 dry contact relays; DC Max: 30 VDC at 3 amps per contact  
AC max: 250 VAC at 3 amps per contact

### EtherNet/IP Interface:

According to EN 50325-2

### ProfiNet Interface:

According to IEC 61784 (CPF-3/3)

### Modbus/TCP Interface:

Up to 8 bytes of I/O data, 100 Mbps full duplex Ethernet

### DeviceNet Interface:

According to EN 50325-2

### Profibus DP Interface:

According to EN 50170

### EtherCAT

According to IEEE 802.3

# 880/880 Plus Performance™ Series

Digital Weight Indicator/Controller

INDICATORS / CONTROLLERS

## Part Number/Price

PART #	DESCRIPTION	EST. SHIP WEIGHT	PRICE
<b>Panel Mount AC Powered*</b>			
150678	880, 115-230 VAC with display	4 lb	Consult
151672	880 controller only 115-230 VAC	4 lb	Consult
157989	880, 115-230 VAC with Analog Output	4 lb	Consult
157990	880, 115-230 VAC with Relay Board	4 lb	Consult
157991	880, 115-230 VAC with EtherNet/IP	4 lb	Consult
157992	880, 115-230 VAC with ProfiNet	4 lb	Consult
157994	880, 115-230 VAC with Modbus/TCP	4 lb	Consult
157993	880, 115-230 VAC with Profibus DP	4 lb	Consult
157995	880, 115-230 VAC with DeviceNet	4 lb	Consult
<b>Panel Mount DC Powered*</b>			
150679	880, 9-36 VDC with display	4 lb	Consult
151673	880 controller only 9-36 VDC	4 lb	Consult
<b>Universal Models AC Powered</b>			
163984†	880 Plus, 115 VAC	8 lb	Consult
165142††	880 Plus, 115-230 VAC	8 lb	Consult

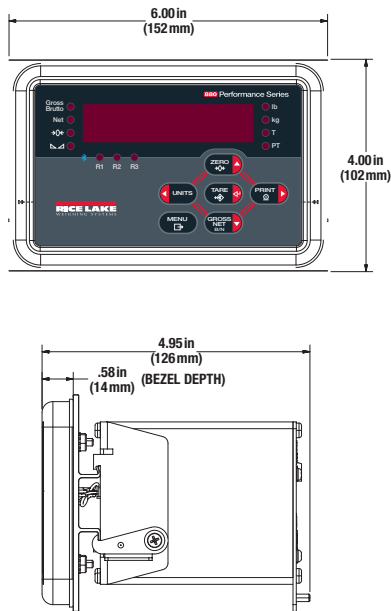
\*Power cable not included



†† CEE 7/7 plug

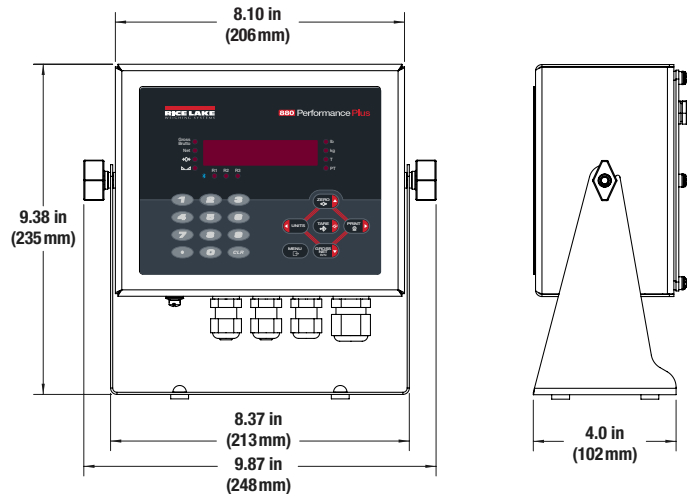


† NEMA Type 5-15 plug



## Options/Accessories

PART #	DESCRIPTION	PRICE
151674	880 display only	Consult
156964	Analog output, 0-10 VDC, 0-20 mA, 4-20 mA	Consult
156965	Relay board, four dry contact outputs	Consult
163305	EtherCAT interface	Consult
156554	EtherNet/IP® interface	Consult
156555	ProfiNet® interface	Consult
156557	Modbus/TCP® interface	Consult
156558	DeviceNet® interface	Consult
156556	Profibus DP interface	Consult
153660	Metrological sealing kit	Consult
158404	Adapter plate for IQ310 and 520 replacement	Consult
77925	Revolution™ scale software	Consult
152240	Operators manual	Consult
158387	Technical manual	Consult
Consult	Panel mount kit, for Universal	Consult
101923	Relay box enclosure, does not include relay	Consult
<b>Cables</b>		
15436	Power cord, pigtail	Consult
105382	Power cord, 230 VAC	Consult
152434	Cable, USB A to micro A shielded, 2 meters	Consult
156817	Cable, Ethernet TCP/IP CAT.5E shielded RoHS compliant blue RJ45 connectors 1 meters	Consult
156818	Cable, Ethernet TCP/IP CAT.5E shielded RoHS compliant blue RJ45 connectors 3 meters	Consult
156821	Cable, Ethernet TCP/IP CAT.5E shielded RoHS compliant blue RJ45 connectors 5 meters	Consult
<b>Primary Component Parts</b>		
131740	Overlay, panel mount, 6-key	Consult
163986	Overlay, universal with numeric keypad	Consult
131598	Display board	Consult
131599	Power supply, 85-265 VAC	Consult
153510	Power supply, 9-36 VDC	Consult
131597	CPU board	Consult



www.ricelake.com | Phone: 800-472-6703

RICE LAKE