

# NEW MSI-8004

Indicator/RF LED Remote Display

## Specifications

### Display

6-digit, 1.5 in (38 mm) LED display with red/green or blue coloring

### Enclosure:

NEMA Type 4, IP65 milled anodized aluminum

### Keypad:

On/Off, Zero, Tare, Print and two user-defi ned keys

### Functions:

Peak hold, high resolution, total, view total, net/gross, units switching

### Units

Pounds, kilograms, tons, metric tons, kilonewtons

### Annunciators:

Stable, COZ, peak, kg, kN, lb, M, ton, setpoint, function LEDs,

### Channels

1, 2, 3, 4, TTL

### Power:

90-267 VAC, 9-36 VDC, 18-72 VDC, 120-300 VDC

### Temperature:

-4° F to 140° F (-20° C to 60° C)

### RF Remote Channels:

Up to 4 remote sensors monitored individually, in pairs or sum all (non-A/D version only)

### Service Counters:

A/D version only

### A/D Inputs:

4 independent or summing load cell inputs

### Excitation:

4.8 V current limited and over-voltage protected

### Filtering:

Off, Low, Hi-1, Hi-2

### RF Radio Link

2.4 GHz 802.15.4, optional second channel for Serial RF, 802.11 Wi-Fi, cellular connectivity or Bluetooth®

### RF Effective Range:

Typically 300 ft (91.44 m) line of sight

### Data I/O:

RS-232 communication port

### Approvals:

NTEP COC #17-036, Measurement Canada

### Warranty:

One-year limited



## Standard Features

- IP65 rugged milled aluminum enclosure
- Backlit membrane keypad for user functioning and controls
- Tilt bracket included

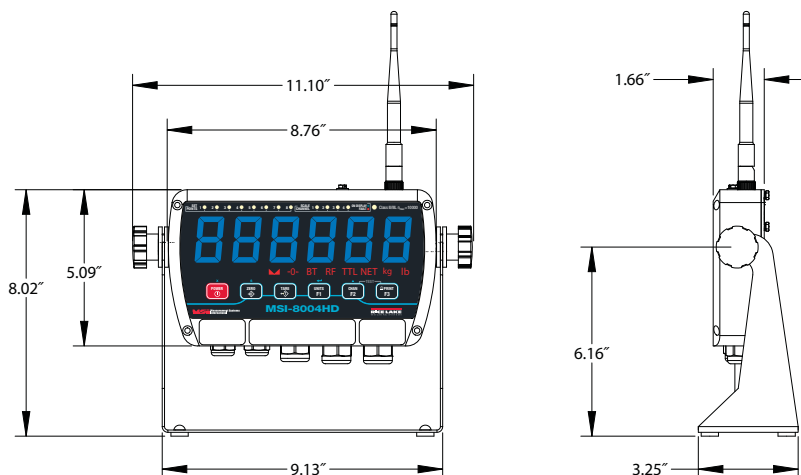
## Options

- Auditory alarm
- Expanded relay outputs
- Battery pack for mobile operation

## Approvals



Measurement  
Canada  
Approved



# NEW MSI-8004

Indicator/RF LED Remote Display

## Part Number/Price

Indicator		
Part #	Description	Price
178263	MSI-8004HD Indicator, 4CH AC, Blue 85~264VAC, 47~440Hz, 120~370VDC	Consult
178265	MSI-8004HD Indicator, 4CH AC, Red/Green 85~264VAC, 47~440Hz, 120~370VDC	Consult
178267	MSI-8004HD Indicator, 4CH DC, 7-14V, Blue Best for external 12V SLA Batteries	Consult
178269	MSI-8004HD Indicator, 4CH DC 7-14V, Red/Green Best for external 12V SLA Batteries	Consult
178270	MSI-8004HD Indicator, 4CH DC 9-36V Iso, Blue Do not use on 12V Vehicle Systems	Consult
178271	MSI-8004HD Indicator, 4CH DC 9-36V Iso, Red/Green Do not use on 12V Vehicle Systems	Consult
178273	MSI-8004HD Indicator, 4CH DC 18-75V Iso, Blue	Consult
178274	MSI-8004HD Indicator, 4CH DC 18-75V Iso, Red/Green	Consult
178276	MSI-8004HD Indicator, 4CH DC 5V, Blue For use with external 15W, 5V Power Supplies	Consult
178278	MSI-8004HD Indicator, 4CH DC 5V, Red/Green For use with external 15W, 5V Power Supplies	Consult
183480	MSI-8004HD Indicator, 4CH DC 5V Blue, 1.5in LED Display For use with external 15W, 5V Power Supplies	Consult
183481	MSI-8004HD Indicator, 4CH DC 5V Red/Green 1.5in LED Dual Color Display For use with external 15W, 5V Power Supplies	Consult
Remote Display		
178279	MSI-8004HD Display, AC, Blue 85~264 VAC, 47~440 Hz, 120~370 VDC	Consult
178281	MSI-8004HD Display, AC, Red/Green 85~264 VAC, 47~440 Hz, 120~370 VDC	Consult
178282	MSI-8004HD Display DC, 7-14V, Blue Best for external 12 V SLA Batteries	Consult
178283	MSI-8004HD Display, DC 7-14V, Red/Green Best for external 12 V SLA Batter	Consult
178284	MSI-8004HD Display, DC 9-36V Iso, Blue Do not use on 12 V Vehicle Systems	Consult
178285	MSI-8004HD Display, DC 9-36V Iso, Red/Green Do not use on 12 V Vehicle Systems	Consult
183478	MSI-8004HD Display, DC 9-36V Iso, Blue, 1.5in LED Display Do not use on 12 V Vehicle Systems	Consult
183479	MSI-8004HD Display, DC 9-36V Iso, Red/Green, 1.5in Dual Color LED Display Do not use on 12 V Vehicle Systems	Consult

## Options

Part #	Description	Price
148624	SERIAL CABLE, RS-232 9000 Serial Cable, DCE	Consult
139309	Antenna Kit, Long Range Omni-directional, 9dBi with 3m Coax Intended for omni-directional mast mounting (up to 2" Ø). Beam-width. Must be mounted vertically.	Consult
139310	Antenna Kit, Corner Reflector, 9dBi with 3m Coax Intended for directional wall or mast mounting (up to 2" Ø). Beam-width: 75° Elevation, 65° Azimuth	Consult
139311	Antenna Kit, Corner Reflector, 12dBi with 3m Coax Intended for directional wall or mast mounting (up to 2" Ø). Beam-width: 50° Elevation, 36° Azimuth	Consult
139312	Antenna Kit, YAGI, 15dBi with 3m Coax Highly directional wall or mast mounting (up to 2" Ø). Beam-width: 30° Elevation, 34° Azimuth	Consult
139313	Antenna Kit, Vehicle Mount, 5dBi with 5m Coax Omni-directional. Mounts in 3/4" Hole.	Consult
155173	Option kit, tilt stand 8000HD	Consult
155193	Option kit, Ethernet (hard wired) RJ-45 Cable (included)	Consult
171203	Audible alarm Not compatible with battery versions 22436	Consult
22436	Cable, Comm DB9F 9 Pin Fem One end stripped and tinned on other end 6' Pin 2 (Brown) Pin 3 (Red) Pin 5 (Yellow) For use with MSI-8004HD serial ports to connect to: Scoreboard displays, printers, computers & other equipment that supports RS-232	Consult
183437	Battery, 5V Li-ion battery with USB power ports. Output 5V/3.0A per port (6.0 A max)Rate, 2A per port (4A if both ports are used)	Consult
184132	8004 option kit, Bluetooth with SMA antenna	Consult
184131	8004 option kit, WiFi with SMA antenna	Consult
182224	Power Adapter, 12VDC 5VDC Dual USB Car Charger plus 3ft USB Cable	Consult
Relays		
155352	Option kit, custom relays and fuses Allows other SSR options and combination of relays types.	Consult
158779	Option kit, 2 coil relays, 250VAC / 30VDC 4A Includes 4m cable	Consult
158780	Option kit, 2 SS relays 60VPK 2.7A (AC OR DC) Includes 4m cable	Consult
158781	Option kit, 2 SS relays 200VPK 0.4A (AC OR DC) Includes 4m cable	Consult
172500	Expanded Relays Option Kit, 4-Channel, 3A, 60VPK SSR Form C	Consult
172501	Expanded Relays Option Kit, 8-Channel, 3A 60VPK, SSR Form C	Consult
172493	Expanded Relays Option Kit, 4-Channel, 3A 60VPK, AC/DC SSR	Consult
172497	Expanded Relays Option Kit, 8-Channel, 3A 60VPK, AC/DC SSR	Consult
172494	Expanded Relays Option Kit, 4-Channel, 0.9A 200VPK, AC/DC SSR	Consult
172502	Expanded Relays Option Kit, 8-Channel, 0.9A 200VPK, SSR Form C	Consult
172498	Expanded Relays Option Kit, 8-Channel, 0.9A 200VPK, SSR	Consult
172492	Expanded Relays Option Kit, 4-Channel, 12A 5V, Momentary	Consult
172495	Expanded Relays Option Kit, 8-Channel, 12A 5V, Momentary	Consult
172490	Expanded Relays Option Kit, 4-Channel, 12A 5V, Latching Relays	Consult
171676	Expanded Relays Option Kit, 8-Channel, 12A 5V, Latching Relays	Consult
172489	Expanded Relays Option Kit, 8-Channel, No relays, Base PCA only	Consult